

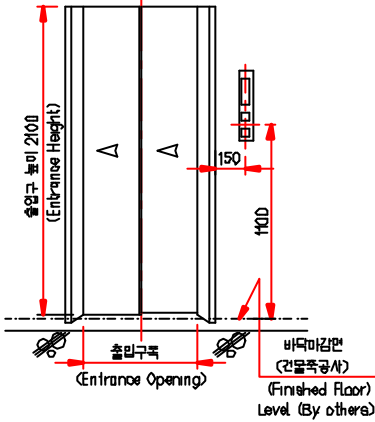
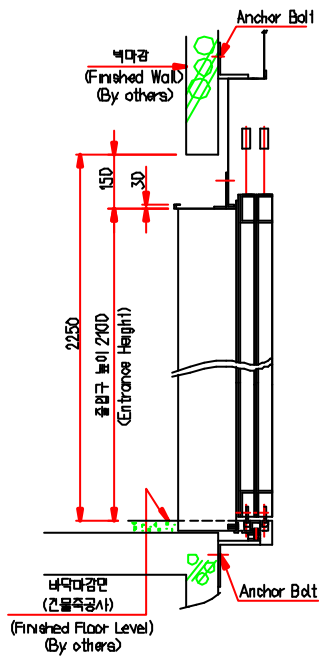
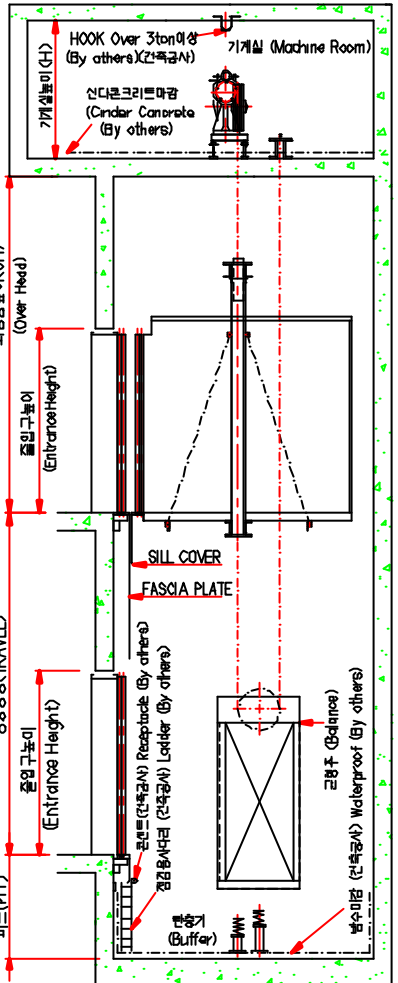
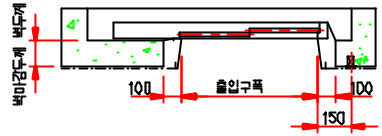
승강로 정면도 및 기계실
Hoistway & Machine Room (Rise Type)

승강로 단면도
(Section of Hoistway)

표1

SPEED (m/min)	OVER HEAD (OH)	PIT (P)	M/C ROOM HEIGHT (H)
30	4,400	1,200	2,200
45,6D	4,600	1,500	2,200

출입구 "DETAIL"



출입구 단면도
Entrance Design (Standard)

출입구 정면도
Entrance Design

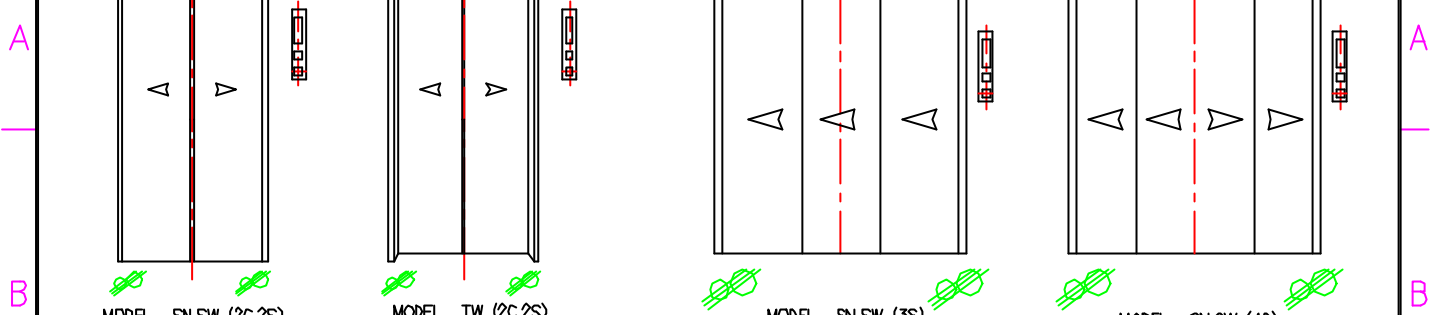
표준 규격표
Standard Dimensions of Bed Elevator

NO	형식 (Elevator) Type	CAGE 규격		출입구 폭 (Entrance) Width (W)	승강로 규격 (Hoistway) (X × Y)	기계실 규격 (Machine Room) (S × T)	기계실 높이 (Machine Room Height)(H)	최상층 높이 (Over- head) (OH)	피트 (Pit)	기계실 반력 Machine Room Reaction (kg)		MOTOR (KW)
		내부 (Internal) (a × b)	외부 (External) (A × B)							R1	R2	
1	KHB - 750 - 2S30/45/60	1400 × 2000	1460 × 2210	1100	2250 × 2760	4300 × 2500	2500	표1	표1	7,000	4,000	5.5
2	KHB - 1000 - 2S30/45/60	1800 × 2000	1860 × 2210	1400	2700 × 2760	4700 × 2500				7,800	6,000	7.5
3	KHB - 1500 - C030/45/60	2200 × 2400	2260 × 2610	1700	2100 × 3160	5200 × 2900		참조	참조	11,000	6,500	5.5
4	KHB - 2000 - C030/45/60	2200 × 3000	2360 × 3210	1700	3150 × 3760	5200 × 3500				12,500	8,500	11

* 자세한 규격이나 사양은 문의 바랍니다

Rev No	Drawn By	Appd By	3rd Angle Projection	Project	Title
Date	Byoungkwan Cho		Unit (mm)inch	STANDARD	침대용 규격표
Rev'd By	Byoungkwan Cho	Chkd By	Scale M/S	Part	Project No
Chkd By			Date 2008	LAY OUT & 지수표	REV-0001
Contents	KUMHO (주) 김호엘리베이터 KUMHO ELEVATOR CO., LTD.				File Name
					REV-LY0001

1	2	3	4
2000AT-3ND3	적용공차 ± 2mm	No	Name Part 규격 Dwg No Mat'l Q'ty Set Weight Remarks

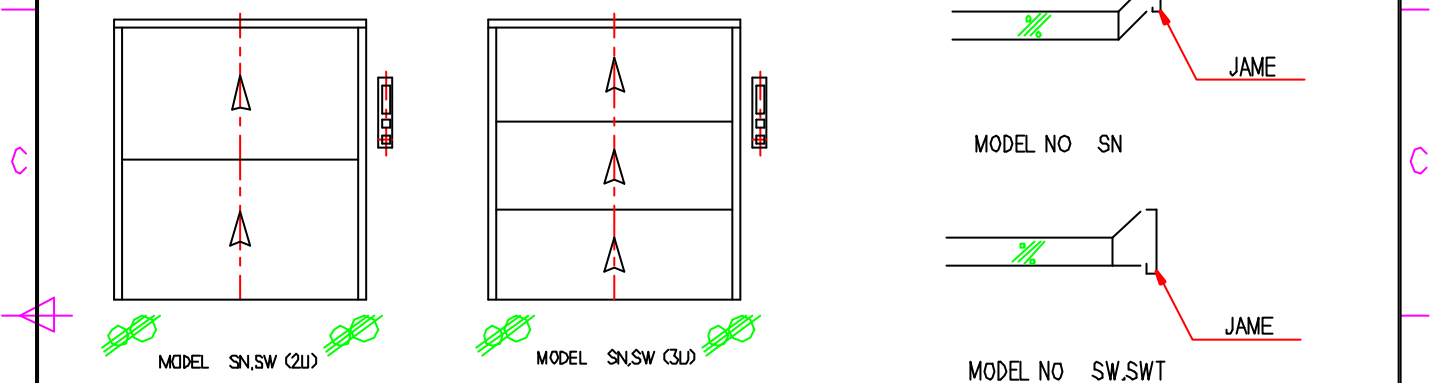


MODEL SN,SW (2C,2S)

MODEL TW (2C,2S)

MODEL SN,SW (3S)

MODEL SN,SW (4C)

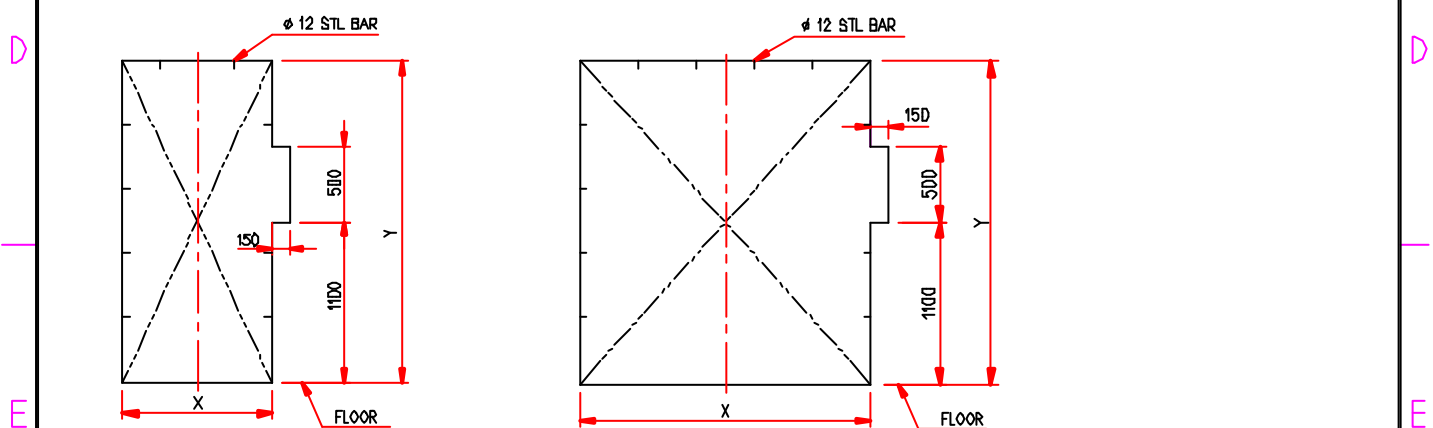


MODEL SN,SW (2U)

MODEL SN,SW (3U)

MODEL NO SN

MODEL NO SW,SWT



MODEL	SN/SW	TW	SWT
X	OPW + 200	OPW + 300	OPW + 200
Y	OPH + 100	OPH + 100	OPH + 400

OPW : 출입구폭
OPH : 출입구높이

Rev No	Drwn By	Byoungkeon Cho	Appd By	3rd Angle Projection	Project	STANDARD	Title	엘리베이터
Date	Dsnd By	Byoungkeon Cho	Chkd By	Unit	mm/inch		건축구조도면	
Rev'd By	Chkd By	(주)금호엘리베이터		Scale	N/S		Project No	KHL-CONC-LY002
Contents	KUMHO ELEVATOR CO., LTD.		Date	2008	Part		File Name	CONC-LY002
					LAY OUT & 지수표		Drawng No	CONC-LY002